

Product Guide

- **Cills, Angles & Trims**
- **Window Boards & Trims**
- **Cladding Systems**
- **Fascia & Soffit**
- **Keyboard**

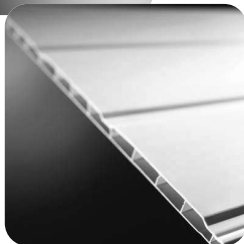
CONTENTS

	Page No.
Cills	
60mm Platform	4 & 5
70mm Platform	6 & 7
End Caps & Trims	8 & 9
Angles & Ancillaries	10 & 11
Window Boards	
Cellular PVC	12 & 13
Rigid PVC	12 & 13
Window Trims	14 & 15
Skirtings & Architraves	16 & 17
Cladding Systems	
Claddings	18 & 19
Cladding Trims	20 & 21
Fascia Systems	
Replacement Fascias	22 & 23
Refurbishment Fascias	24 & 25
Soffit Boards	
Plain & Vented Cellular PVC	26 & 27
Hollow Soffits & Roof Trims	28 & 29
Keyboard	30 & 31

Plaslyne offers a complete range of high quality PVC building products at competitive prices.

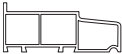
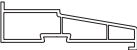
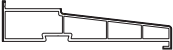
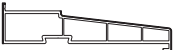




- No discolouration
- 15 Year Guarantee on WHITE cellular PVC
- 10 Year Guarantee on FOILED cellular PVC
- Manufactured under ISO 9001
- Easy to clean
- Long life span
- Recyclable



CILLS

Standard Cills (60mm Platform)

	Part No.	Description
	PC85	85mm Standard Cill
	PC125	125mm Standard Cill
	PC155	155mm Standard Cill
	PCW155	155mm Standard Cill
	PC180	180mm Standard Cill
	PC225	225mm Standard Cill



* Add colour code suffix:

B = Brilliant White

WG = Mahogany

LO = Light Oak

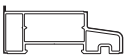
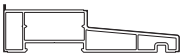
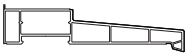

RW = Rosewood

BA = Black Ash

Pack Size	Colour Opions	Information
2 x 5m	B, WG, LO, RW	Reinforcement available
2 x 5m	B, WG, LO, RW	Reinforcement available
2 x 5m	B, WG, LO, RW, BA	Reinforcement available
2 x 5m	WG, LO, RW	Foiled on WHITE profile Reinforcement available
2 x 5m	B, WG, LO, RW	Reinforcement available
2 x 5m	B, WG, LO, RW	Reinforcement available

CILLS

Large Platform Cills (70mm Platform)

	Part No.	Description
	PL85	85mm Large Platform Cill
	PL125	125mm Large Platform Cill
	PL155	155mm Large Platform Cill
	PL185	185mm Large Platform Cill



* Add colour code suffix:

B = Brilliant White

WG = Mahogany


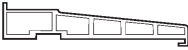

LO = Light Oak

RW = Rosewood

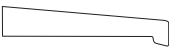
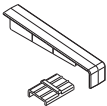
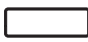
Pack Size	Colour Options	Information
2 x 5m	B, LO, RW	Reinforcement available
2 x 5m	B	Reinforcement available
2 x 5m	B, WG, LO, RW	Reinforcement available
2 x 5m	B	Reinforcement available

CILL END CAPS AND TRIMS

Standard Cills

	Part No.	Description
End Caps		
	PC85*CAP	85mm Cill
	PC125*CAP	125mm Cill
	PC155*CAP	155mm Cill
	PC180*CAP	180mm Cill
	PC225*CAP	225mm Cill
Straight Cill Joints		
	PCJ155	155mm Cill
	PCJ180	180mm Cill
Angled Cill Joints		
	P155135	135° Angled Cill Joint
	P15590	90° Angled Cill Joint

Large Platform Cills

	Part No.	Description
End Caps		
	PL85*CAP	85mm Cill
	PL*CAP	Universal End Cap
Cill Joints		
	PLCJ	Straight Cill Joint
	PLCJ90	90° Cill Joint
	PLCJU	Universal Cill Joint
		(120° - 150°)
Ancillaries		
	PLRCM	Reinforcement for Large Platform Cill

* Add colour code suffix:

B = Brilliant White

W = White

WG = Mahogany

BR = Brown

Pack Size	Colour Options	Information
Box 100 Box 100 Box 100 Box 100 Box 50	B, WG, LO B, WG B, WG, LO B, WG, LO B, WG, LO, RW	50 Pairs per box - plain 50 Pairs per box - plain 50 Pairs per box - plain 50 Pairs per box - plain 25 Pairs per box - foiled
Pack 10 Pack 10	W, BR, LO W, BR, LO	
Pack 10 Pack 10	W, BR, LO W, BR, LO	Suitable for all 155mm Cills

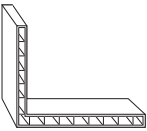
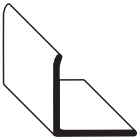

Pack Size	Colour Options	Information
Box 200 Box 100	B, WG*, LO* B, WG*, LO*	100 Pairs per box 50 Pairs per box * Plain colour NOT foiled
Pack 10 Pack 10 Pack 10	B, WG*, LO* B, WG*, LO* B, WG*, LO*	* Plain colour NOT foiled
1 x 5m		

LO = Light Oak




RW = Rosewood

ANGLES & ANCILLARIES

Angles

	Part No.	Description
	PHA100X80	100 x 80mm Hollow Angle
	PSA23X65 PSA25X25 PSA32X32 PSA40X40 PSA50X50 PSA60X60 PSA80X80 PSA100X100	23 x 65mm Solid Angle 25 x 25mm Solid Angle 32 x 32mm Solid Angle 40 x 40mm Solid Angle 50 x 50mm Solid Angle 60 x 60mm Solid Angle 80 x 80mm Solid Angle 100 x 100mm Solid Angle
	PFL50 PFL70 PFL100 PFL150	50mm Flexi Angle 70mm Flexi Angle 100mm Flexi Angle 150mm Flexi Angle

Ancillary Profiles

	Part No.	Description
	PTJ	Joint Trim
	PDB	Drip Bar
	PDBBCAP	Drip Bar End Cap

* Add colour code suffix:

B = Brilliant White

WG = Mahogany

LO = Light Oak

RW = Rosewood

Pack Size	Colour Options	Information
5 x 5m	B, WG, RW	Hollow angle with integral strengthening ribs
10 x 5m	B	
20 x 5m	B, WG, LO, RW, BA	
10 x 5m	B, WG, LO, RW, FB, BA	
20 x 5m	B	
10 x 5m	B, WG, LO, RW, BA	
10 x 5m	B	
5 x 5m	B	
5 x 5m	B	
10 x 5m	B	
10 x 5m	B	
10 x 5m	B	
5 x 5m	B	




Pack Size	Colour Options	Information
10 x 5m	B	
10 x 5m	B	For use on windows and doors
Box 100	B	50 pairs per box

BA = Black Ash



BR = Brown

WINDOW BOARDS

Cellular Window Boards

	Part No.	Description
Bullnose (9mm thick) 	FBB150	150mm
	FBB175	175mm
	FBB200	200mm
	FBB225	225mm
	FBB250	250mm
	FBB300	300mm
	FBB405	405mm
End Caps  	FBE300	300mm Bullnose End Cap
	FBE135	135mm Bullnose End Cap

Rigid Window Boards

	Part No.	Description
Square (3mm thick) 	PWB175	175mm
	PWB245	245mm
End Cap 	PWB*CAP	100mm End Cap

* Add colour code suffix:

B = Brilliant White

W = White

WG = Mahogany

LO = Light Oak

Pack Size	Colour Opions	Information
2 x 5m	W	
2 x 5m	W, WG, LO, RW, Q	
2 x 5m	W	
2 x 5m	W, WG, LO, RW Q	
2 x 5m	W	
2 x 5m	W	
1 x 5m	W	
Pack 10	W, WG, LO, RW Q	Matching foiled finish
Pack 5	W	





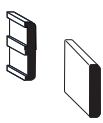

Pack Size	Colour Opions	Information
2 x 5m	B	
2 x 5m	B	
Box 50	B	Component cut in half equals one pair

RW = Rosewood

Q = Irish Oak

WINDOW TRIMS

Cellular PVC Window Trims

	Part No.	Description
Quadrants 	F12Q F17Q	12mm Quadrant 17.5mm Quadrant
Edge Mould 	FEF	20mm Edge Mould
Rectangles 	FR PFR25X20	15mm x 13mm Rectangle 25mm x 20mm Rectangle
Angles 	F25X25 F50X50	25mm x 25mm 50mm x 50mm
D Sections 	F25D F28D F50DM F75DM	25mm 28mm 50mm 75mm
Decorative Profiles 	F70SD F120SD	70mm x 15mm Trim 120mm x 13mm Trim

* Add colour code suffix:

B = Brilliant White

W = White

WG = Mahogany

LO = Light Oak

Pack Size	Colour Options	Information
20 x 5m 20 x 5m	W, WG, LO, RW, BA W, WG, LO, RW, Q, BA	
25 x 5m	W, WG, LO, RW, Q, BA	
25 x 5m 10 x 5m	W B	
20 x 5m 10 x 5m	W W	
25 x 5m 25 x 5m 10 x 5m 10 x 5m	W, WG, LO, RW, Q, BA W W W	Flat-backed profile
10 x 5m	W	
7 x 5m	W	



RW = Rosewood

Q - Irish Oak


BA = Black Ash

SKIRTINGS AND ARCHITRAVES



Architraves

		Part No.	Description
Flat Back (6mm thick)		F45FA	45mm
		F70FA	70mm
		F95FA	95mm
Castellated (6mm thick)		F45CA	45mm
		F70CA	70mm
		F95CA	95mm

Cloaking Profiles

		Part No.	Description
(7.5mm thick)		F35D	35mm
		F50D	50mm
		F75D	75mm
		F100D	100mm

Skirtings

		Part No.	Description
(12mm thick)		F45SK	45mm Plain Skirting
		F70SK	70mm Plain Skirting
		F950GSK	95mm Ogee Skirting

* Add colour code suffix:

W = White

WG = Mahogany

LO = Light Oak

RW = Rosewood

Pack Size	Colour Options	Information
10 x 5m	W, WG, LO, RW, Q, BA	
10 x 5m	W, WG, LO, RW, Q, BA	
5 x 5m	W, WG, LO, RW, Q, BA	
10 x 5m	W	
10 x 5m	W	
5 x 5m	W	

Pack Size	Colour Options	Information
10 x 5m	W	
10 x 5m	W	
10 x 5m	W	
5 x 5m	W	

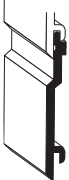

Pack Size	Colour Options	Information
10 x 5m	W	
10 x 5m	W	
5 x 5m	W	

Q = Irish Oak

BA = Black

CLADDINGS

Claddings

	Part No.	Description
	FS100	100mm Open V
	FS150	150mm Shiplap

Important Installation Information for FOILED Cladding Profiles:

Foiled cladding has the potential to absorb heat and therefore adequate provision **MUST** be made to allow this heat to disperse from behind the installation. For foiled cladding,

* Add colour code suffix:

W = White

WG = Mahogany

LO = Light Oak

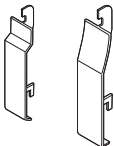



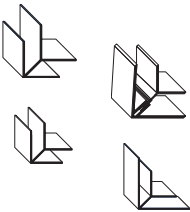
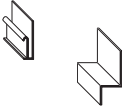
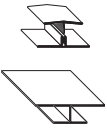
RW = Rosewood

Pack Size	Colour Options	Information
5 x 5m	W, WG, LO, RW	
5 x 5m	W, WG, LO, RW	

install onto good quality, treated softwood battens (min. 50 x 38mm)
fixed at maximum **400mm** centres.

CLADDING SYSTEMS

Cladding Trims

	Part No.	Description
	FVJ100 FSC150	100mm Open V Joint Cover 150mm Shiplap Joint Cover
	FSTBC	Universal Starter Trim
	FSLUC FSLUCBC	Universal Channel Universal Channel (with batten cover)
	FUTM FUTF	2-Part Universal Trim (Male) 2-Part Universal Trim (Female)
	FECT FCTM FCTF PEJ PIS	External Corner Trim 2-Part Corner Trim (Male) 2-Part Corner Trim (Female) External Joint Internal Joint
	FWST FDT	Wall Starter Trim Drip Trim
	FJTM FJTF FCJT	2-Part Joint Trim (Male) 2-Part Joint Trim (Female) Centre Joint Trim

* Add colour code suffix:

W = White

WG = Mahogany




LO = Light Oak

RW = Rosewood

Pack Size	Colour Options	Information
Pack 5 Pack 5	W, WG, LO, RW W, WG, LO, RW	
10 x 5m	W	
10 x 5m 10 x 5m	W, WG, LO, RW W	
10 x 5m 10 x 5m	W, WG, LO, RW W	
5 x 5m	W	
5 x 5m 5 x 5m	W W, WG, LO, RW	
10 x 5m	W	
10 x 5m	W	
10 x 5m 10 x 5m	W W	
5 x 5m 5 x 5m	W, WG, LO, RW W	
5 x 5m	W	

FASCIA

Replacement Fascia

	Part No.	Description
Square (16mm thick) 	FNR150	150mm
	FNR175	175mm
	FNR200	200mm
	FNR225	225mm
	FNR250	250mm
	FNR355	355mm
	FNR405	405mm
Ogee (16mm thick) 	FNO150	150mm
	FNO175	175mm
	FNO200	200mm
	FNO225	225mm
	FNO250	250mm
	FNO355	355mm
	FNO405	405mm
Bullnose (16mm thick) 	FBF150	150mm
	FBF175	175mm
	FBF200	200mm
	FBF225	225mm
	FBF250	250mm
	FBF355	355mm
	FBF405	405mm
Corners and Joints	FDEC	Square Corner
	FDEFFJ	Square Joint
	<hr/>	
	FNOC	Ogee Corner
	FNOJ	Ogee Joint
	<hr/>	
	FBFC	Bullnose Corner
	FBFJ	Bullnose Joint

* Add colour code suffix:

W = White

WG = Mahogany

LO = Light Oak

RW = Rosewood



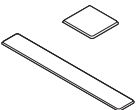
Pack Size	Colour Options	Information
2 x 5m 2 x 5m 2 x 5m 2 x 5m 2 x 5m 1 x 5m 1 x 5m	W, WG, LO, RW, Q, BA W, WG, LO, RW, Q, BA W, WG, LO, RW, Q, BA W, WG, LO, RW, Q, BA W, WG, LO, RW, Q, BA W W, WG, LO, RW, Q, BA	double-ended profile double-ended profile
2 x 5m 2 x 5m 2 x 5m 2 x 5m 2 x 5m 1 x 5m 1 x 5m	W W W W W W W	double-ended profile double-ended profile
2 x 5m 2 x 5m 2 x 5m 2 x 5m 2 x 5m 1 x 5m 1 x 5m	W W W W W W W	double-ended profile double-ended profile
Pack 2 Pack 2	W, WG, LO, RW, BA W, WG, LO, RW, BA	double-ended 500mm double-ended 500mm
Pack 2 Pack 2	W W	double-ended 500mm double-ended 500mm
Pack 2 Pack 2	W W	double-ended 500mm double-ended 500mm

Q = Irish Oak

BA = Black Ash

FASCIA

Refurbishment Fascia

	Part No.	Description
Square (9mm thick) 	FC150	150mm
	FC175	175mm
	FC200	200mm
	FC225	225mm
	FC250	250mm
	FC300	300mm
	FC405	405mm
	FC605	605mm
Ogee (9mm thick) 	FCO150	150mm
	FCO175	175mm
	FCO200	200mm
	FCO250	250mm
	FCO405	405mm
Corners and Joints	FCC	Square Corner
	FJC	Square Joint
	FCOC	Ogee Corner
	FCOJ	Ogee Joint
End Caps 	FJR35	Square End Cap (50mm)
	FRLEC	Square End Cap (300mm)

Important Installation Information:

Refurbishment profiles can be fitted over the face of sound, existing timber fascias and bargeboards. Unsound or insecure backings and rafters should be cut out and replaced before overcapping. Refurbishment fascia can also be used for new-build projects but will require a backing board of not less than 12mm marine plywood. Fix profiles over the

* Add colour code suffix:

W = White

WG = Mahogany

LO = Light Oak



RW = Rosewood

Pack Size	Colour Options	Information
2 x 5m 2 x 5m 2 x 5m 2 x 5m 2 x 5m 2 x 5m 1 x 5m 1 x 5m	W, WG, LO, RW, BA W, WG, LO, RW, Q, BA W, WG, LO, RW, BA W, WG, LO, RW, Q, BA W, WG, LO, RW, BA W, WG, LO, RW, BA W, WG, LO, RW, BA W	* All 9mm Square profiles have a 35mm leg double-ended profile
2 x 5m 2 x 5m 2 x 5m 2 x 5m 1 x 5m	W W W W W	* All 9mm Square profiles have a 35mm leg double-ended profile
Pack 10 Pack 10	W, WG, LO, RW, Q, BA W, WG, LO, RW, Q, BA	single-ended 300mm single-ended 300mm
Pack 10 Pack 10	W W	single-ended 300mm single-ended 300mm
Pack 20	W WG, LO	Plain, self coloured
Pack 10	W WG, LO, RW, Q, BA	Matching foiled finish

backing board with not less than 2 x 50mm plastic headed nails or 40mm Capped screws at 600mm centres for White or 400mm centres for foiled profiles. An 8mm expansion gap should be left between board lengths.

SOFFIT SYSTEMS

Cellular PVC Soffit

	Part No.	Description
Plain Soffit (9mm thick) 	FFB100	100mm
	FFB150	150mm
	FFB175	175mm
	FFB200	200mm
	FFB225	225mm
	FFB250	250mm
	FFB300	300mm
	FFB405	405mm
	FFB450	450mm
	FFB500	500mm
	FFB605	605mm
Vented Soffit (9mm thick) 	RVFB150	150mm
	RVFB175	175mm
	RVFB200	200mm
	RVFB225	225mm
	RVFB250	250mm
	RVFB300	300mm
	RVFB405	405mm
	RVFB605	605mm

Important Information:

Soffit boards should be secured to timber bearers with 40mm plastic headed nails or capped screws at max. 600mm centres for White profile and 400mm centres for Foiled.

* Add colour code suffix:

W = White

WG = Mahogany

LO = Light Oak


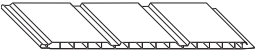
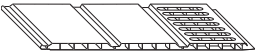
RW = Rosewood

Pack Size	Colour Options	Information
5 x 5m	W	Two finished edges
2 x 5m	W, WG, LO, RW, Q, BA	One sawn, one finished edge
2 x 5m	W, WG, LO, RW, Q, BA	One sawn, one finished edge
2 x 5m	W, WG, LO, RW, Q, BA	One sawn, one finished edge
2 x 5m	W, WG, LO, RW, Q, BA	One sawn, one finished edge
2 x 5m	W	One sawn, one finished edge
2 x 5m	W, WG, LO, RW, Q, BA	One sawn, one finished edge
1 x 5m	W, WG, LO, RW, Q, BA	Two finished edges
1 x 5m	W	One sawn, one finished edge
1 x 5m	W	One sawn, one finished edge
1 x 5m	W	Two finished edges
2 x 5m	W, WG, LO, RW, BA	
2 x 5m	W, WG, LO, RW, BA	
2 x 5m	W	
2 x 5m	W, WG, LO, RW, BA	
2 x 5m	W, WG, LO, RW	
2 x 5m	W, WG, LO, RW, BA	
1 x 5m	W, WG, LO, RW, BA	
1 x 5m	W	







Soffit boards with one single row of vents provides ventilation equivalent to a 10mm continuous air path in accordance with UK Building Regulations.

SOFFIT SYSTEMS

Hollow Soffit

	Part No.	Description
	RSB100	100mm
	RSB300	300mm
	RVSB300	300mm Vented

Roof Trims

	Part No.	Description
	RST	Starter Trim
	RJT	Joint Trim
	RFT	Felt Roof Edge Trim
	PDST	Decorative Starter Trim
	FGF	Apex Cover
	REPHD	Eaves Protector

* Add colour code suffix:

W = White

WG = Woodgrain

FB= Plain Brown

BL = Plain Back

Pack Size	Colour Options	Information
10 x 5m	W, WG, LO, RW	
5 x 5m	W, BL, FB, WG, LO, RW, Q, BA	Matching brown and black trims are also available
5 x 5m	W, WG, LO, RW, BA	

Pack Size	Colour Options	Information
20 x 5m 10 x 5m	W, FB WG, LO, RW, Q, BA, BL	
10 x 5m	W, FB, BL, WG, LO, RW, Q, BA	
10 x 5m	W	
10 x 5m	W	
Pack 10 Pack 5	W WG, LO, RW, BA	
10 x 1.5m		

LO = Light Oak


RW = Rosewood

Q = Irish Oak



BA = Black Ash

KAYBOARD

Internal Window Boards

	Part No.	Description
Bullnose (22mm thick) 	KB150	150mm
	KB180	180mm
	KB200	200mm
	KB225	225mm
	KB250	250mm
	KB300305	300mm
	KB6003	600mm
	KB900	900mm
Accessories	KBEC	End Cap (Plain)
	KBMS	Internal Mitre Joint (Plain)
	KBEMS	External Mitre Joint (Plain)

Skirtings and Architraves

	Part No.	Description
	KA68	68mm Ogee
	KS94	94mm Torus
	KS144	144mm Torus

Important Information:

Keyboard internal window boards are Melamine laminate, bonded to a P3 moisture resistant chipboard core.

* Add colour code suffix:

WG = Mahogany

LO = Light Oak

RW = Rosewood

P = Pine

Pack Size	Colour Options	Information
1 x 5m 1 x 5m 1 x 5m 1 x 5m 1 x 5m 1 x 3.05m 1 x 3.05m 1 x 3.05m	W, LO, RW, W, LO, RW, W, WG, LO, RW, P W, WG, LO, RW, P W, WG, LO, RW, P W, LO, RW, P W, LO, RW, P W	
Pack 10 Pairs	W, WG, LO	Use Light Oak for Pine Use Woodgrain for Rosewood
Pack 10 Pairs	W, WG, LO	Use Light Oak for Pine Use Woodgrain for Rosewood
Pack 10 Pairs	W, WG, LO	Use Light Oak for Pine Use Woodgrain for Rosewood

Pack Size	Colour Options	Information
1 x 4.4m	W, LO, RW, P	
1 x 4.4m 1 x 4.4m	W, LO, RW, P W, LO, RW, P	

Skirting and Architrave profiles are polyester laminate bonded to a moisture resistant MDF core.

W = White

For further details contact



Mariner, Lichfield Road Industrial Estate, Tamworth, B79 7TF

Tel: 01827 317269 • Fax: 01827 317217

Email: info@plaslyne.co.uk

Plaslyne has taken every care to ensure that all the information contained in this Guide is correct at time of publication. From time to time changes may be made, therefore, purchasers should verify whether changes have taken place since the issue of this Guide.